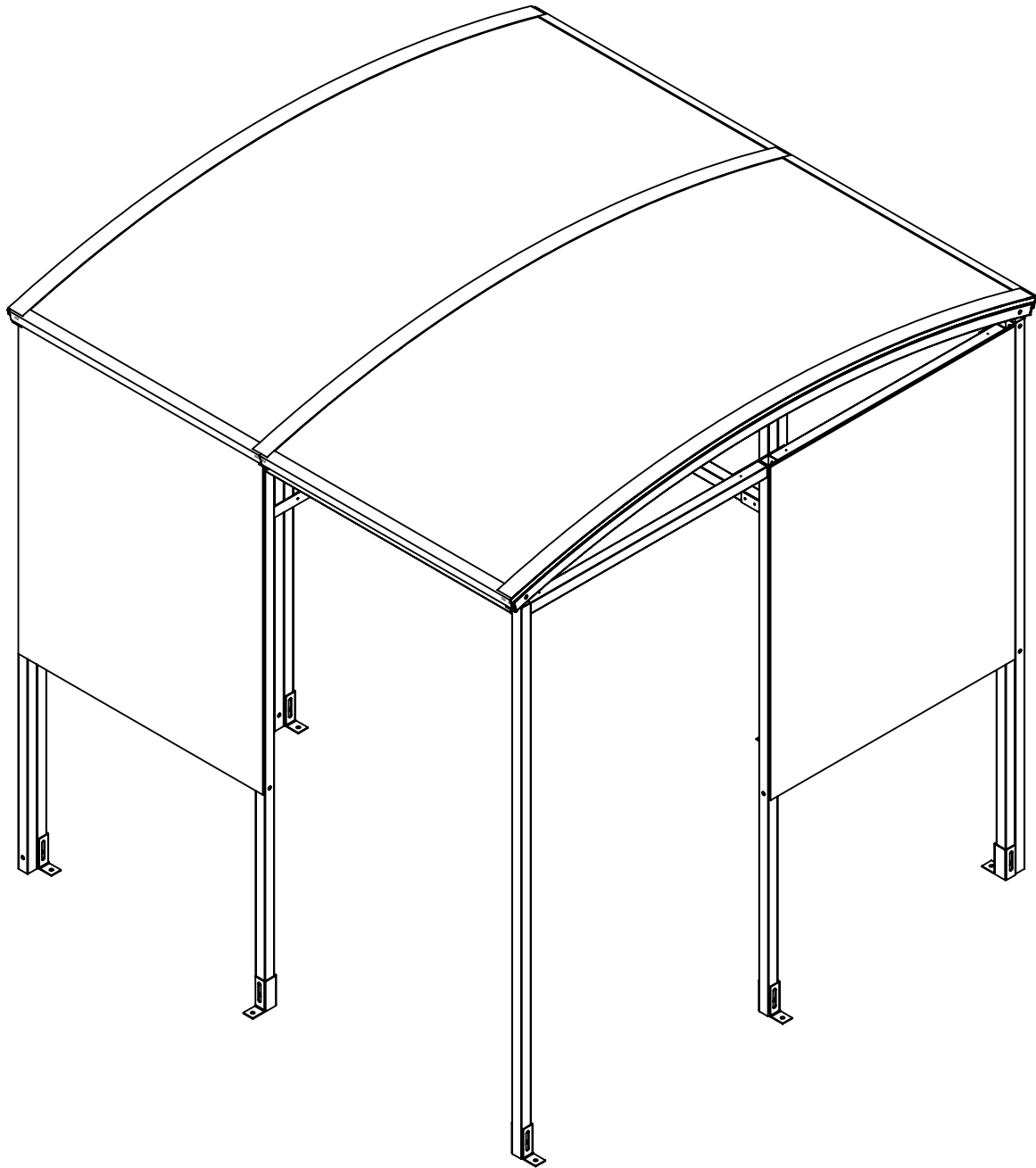


# Assembly Instructions

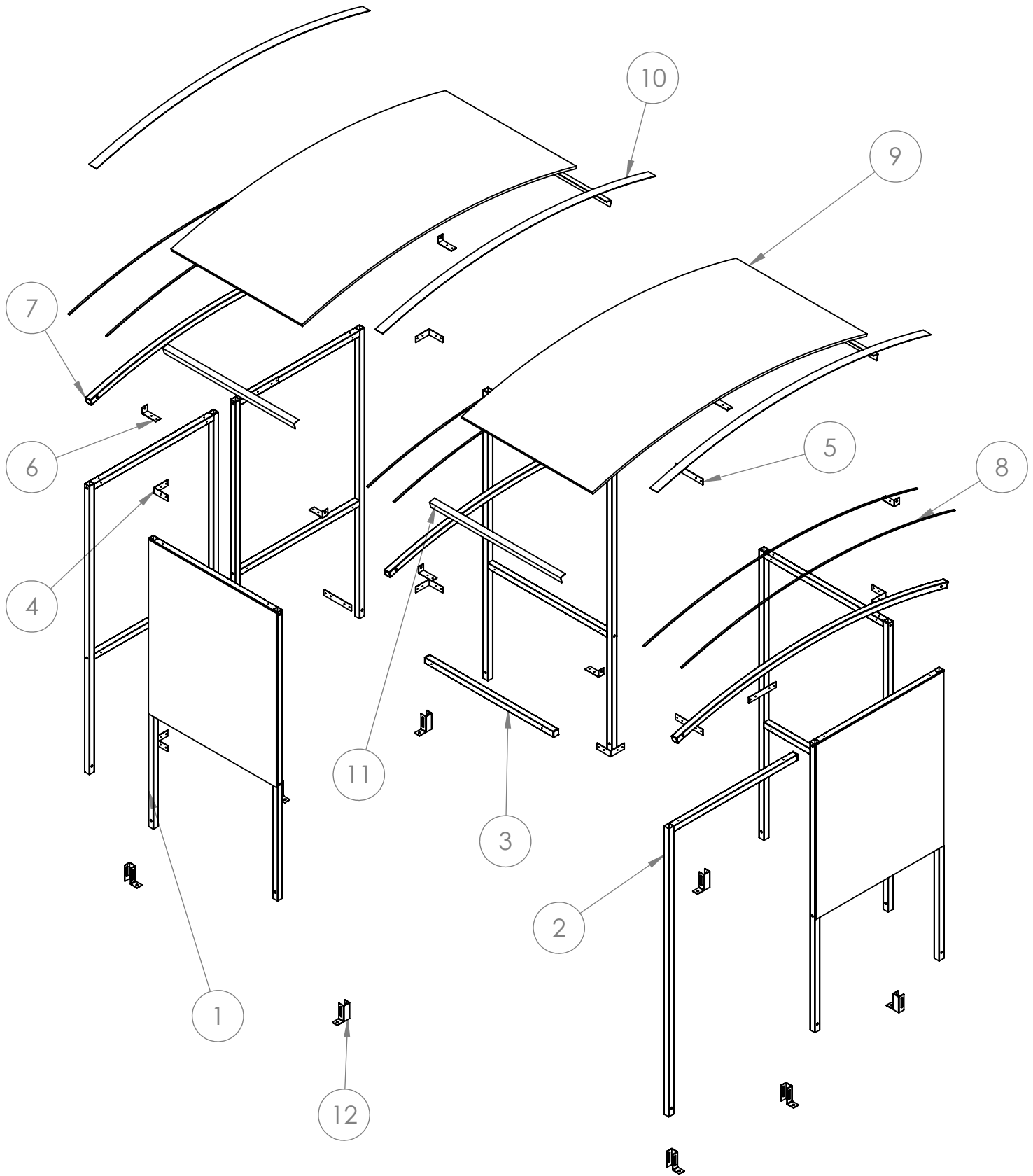


Email : [Sales@shelters4less.co.uk](mailto:Sales@shelters4less.co.uk)  
Web : [www.shelters4less.co.uk](http://www.shelters4less.co.uk)  
Tel : 0800 160 1002

**Shelter type: SR1561**

**SR1561-01-310717-UK**

# EXPLODED VIEW AND TOOLS



## Tools required:



Drill/Screwdriver



Mallet



Hack saw










Spanner



Torx bit

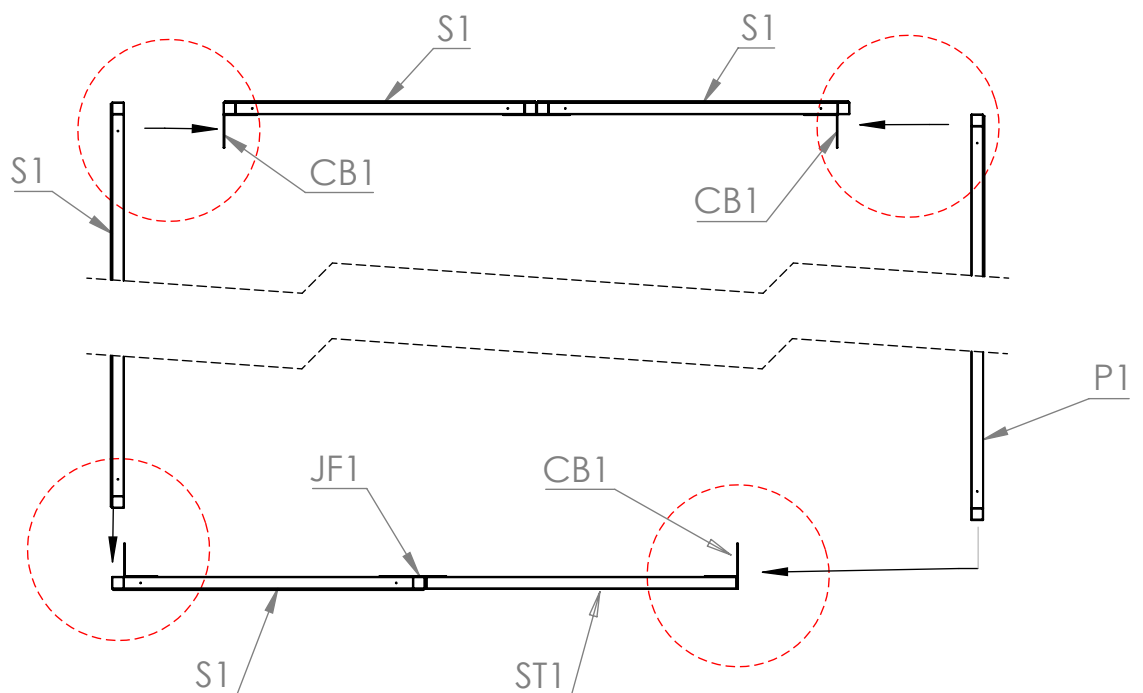
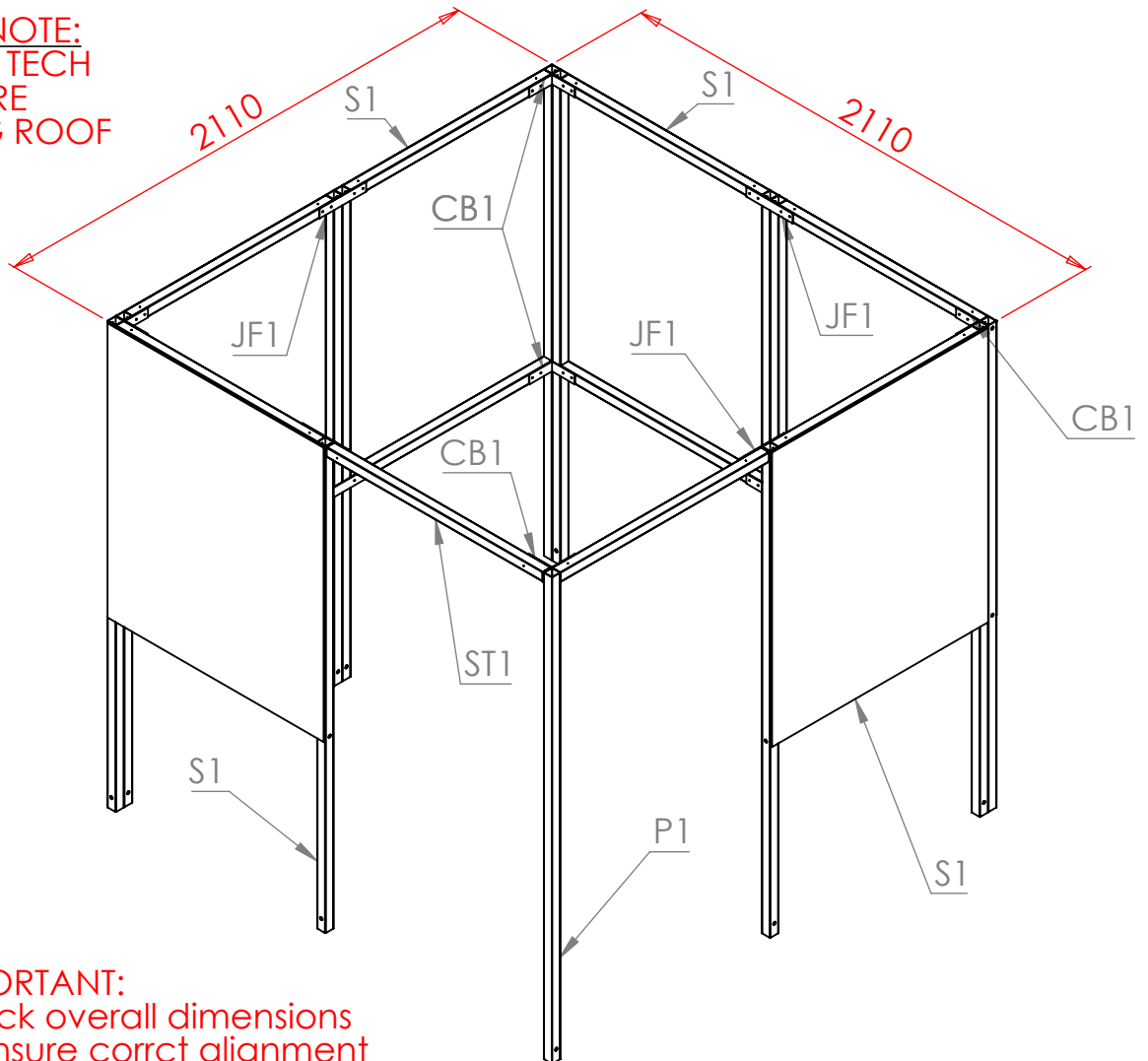
# PARTS LIST

ITEM NO.	PART NO.	DESCRIPTION	DIMENSION	IMAGE	QTY.
1	S1	Frame	2000 x 1035		6
2	P1	Post	2000		1
3	ST1	Roof Tie	1025		1
4	CB1	Bracket	110 x 110 x 40		7
5	JF1	Bracket	220 x 40		6
6	RB2	Bracket	110 x 46		8
7	R2	Rafter	2199		3
8	SS	Sealing Strip	2220		6
9	ACE2	Roof Panel	2220 x 1050		2
10	RC2	Roof Strip	2180		3
11	A1	Roof Angle	2100		2
12	FT1	Bracket	109 x 100		8
13	EC40	Plastic End Cap	40 x 40		12

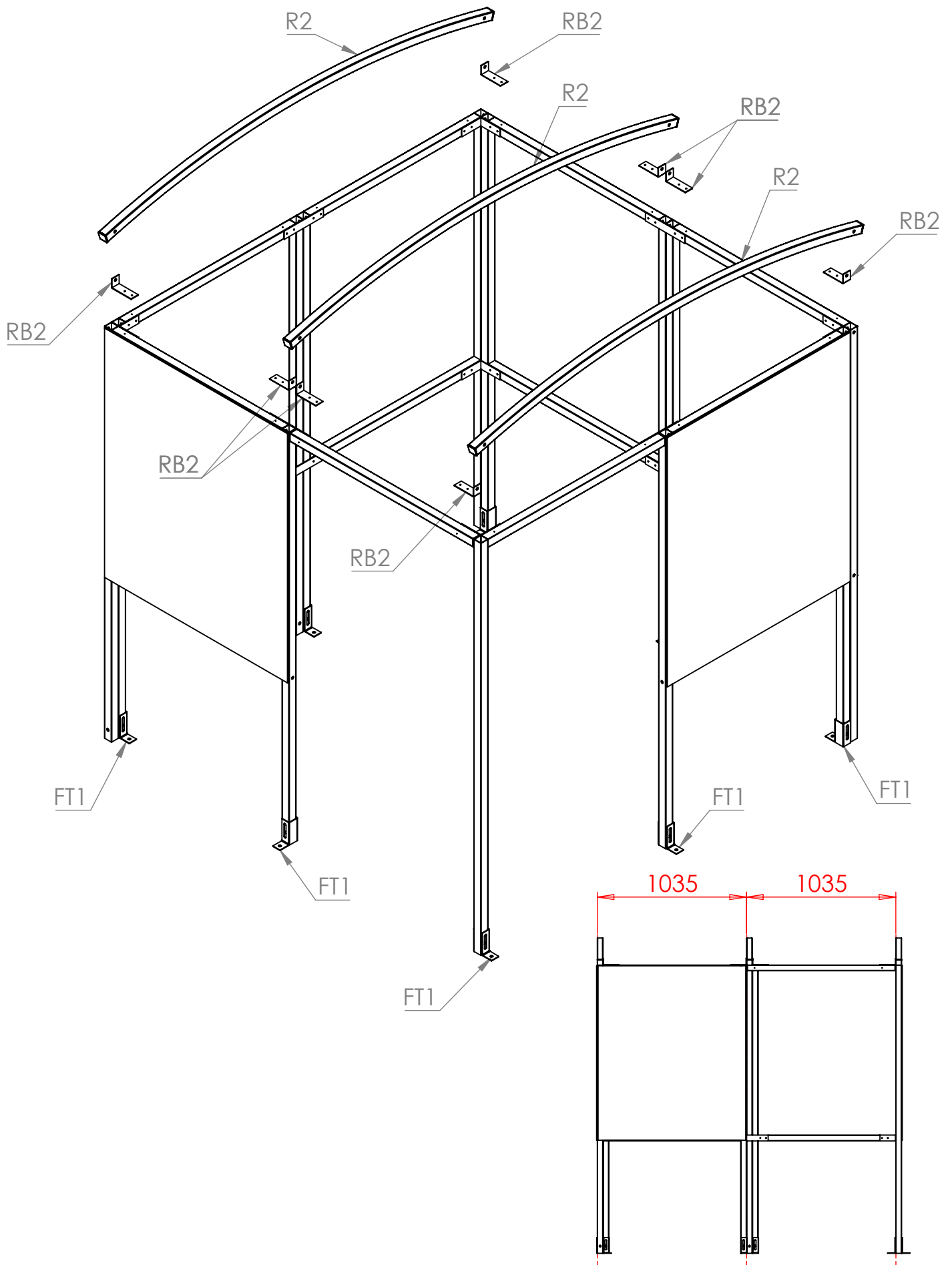
Fittings	Bolt set M10	Nut	Washer	Black Cap	T25	T50	AB1210
	M10 x 60mm				25 mm Tech screw	50 mm Tech screw	M10/12 x 10mm Concrete Bolt
<b>Pack A</b>	30	30	60	60	72	30	8
<b>Required</b>	14	14	28	28	68	30	8
<b>Spare</b>	16	16	32	32	4	0	0
<b>Image</b>							

**Step 1** Assemble **S1** frames to make up the main structure using **CB1** brackets in the corners and **JF1** brackets on straight joints. Then attach **P1** Post using one **JF1** bracket. Then attach **ST1** Tie bar using a **JF1** bracket and one **CB1** bracket.

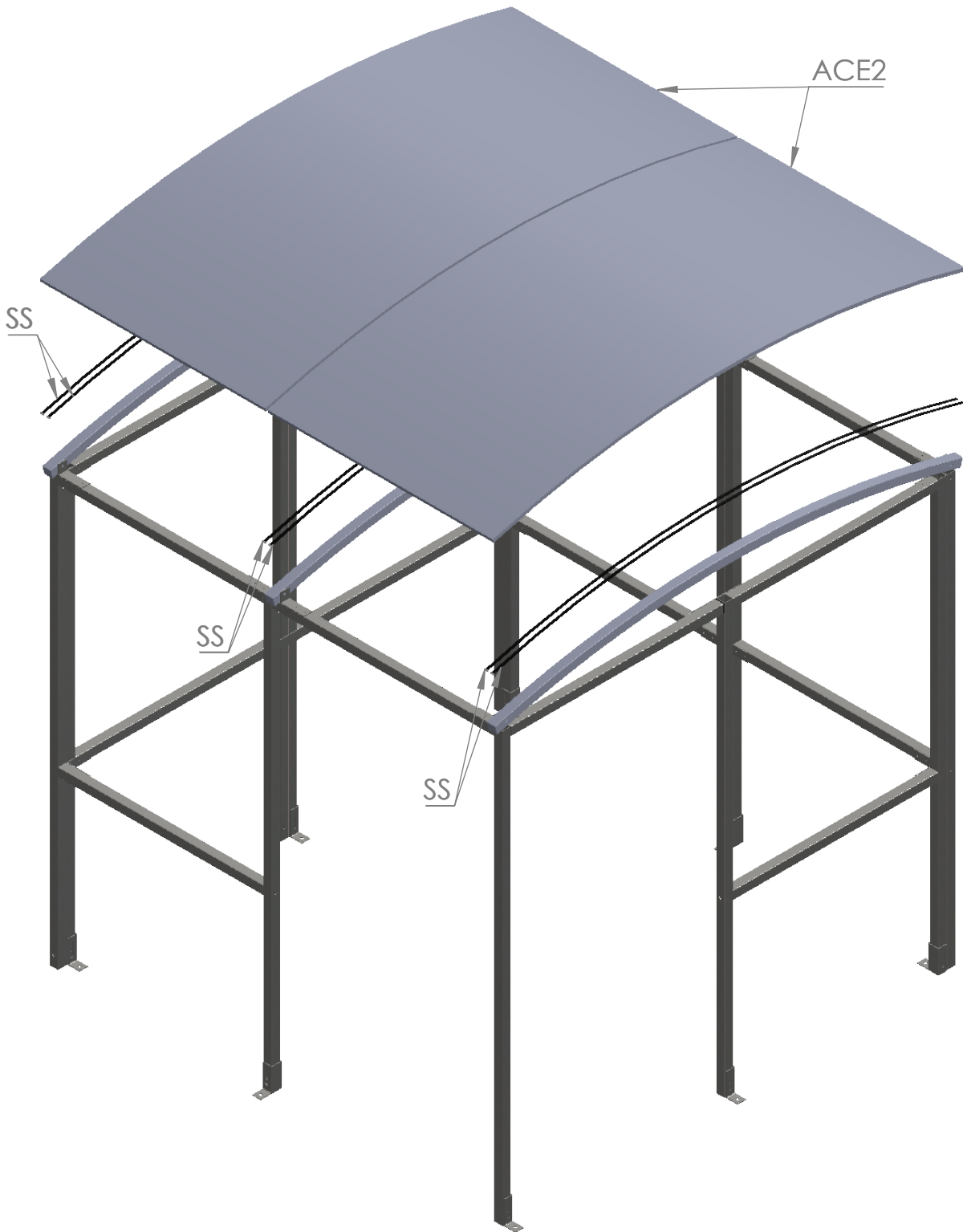
**GENERAL NOTE:**  
THE 50 mm TECH  
SCREWS ARE  
FOR FIXING ROOF  
STRIPS  
(RC) ONLY



**Step 2** Move shelter in to its final position, make sure everything is square and secure to the floor using **FT1** foot brackets. Attach **R2** roof rafters using **RB2** brackets.

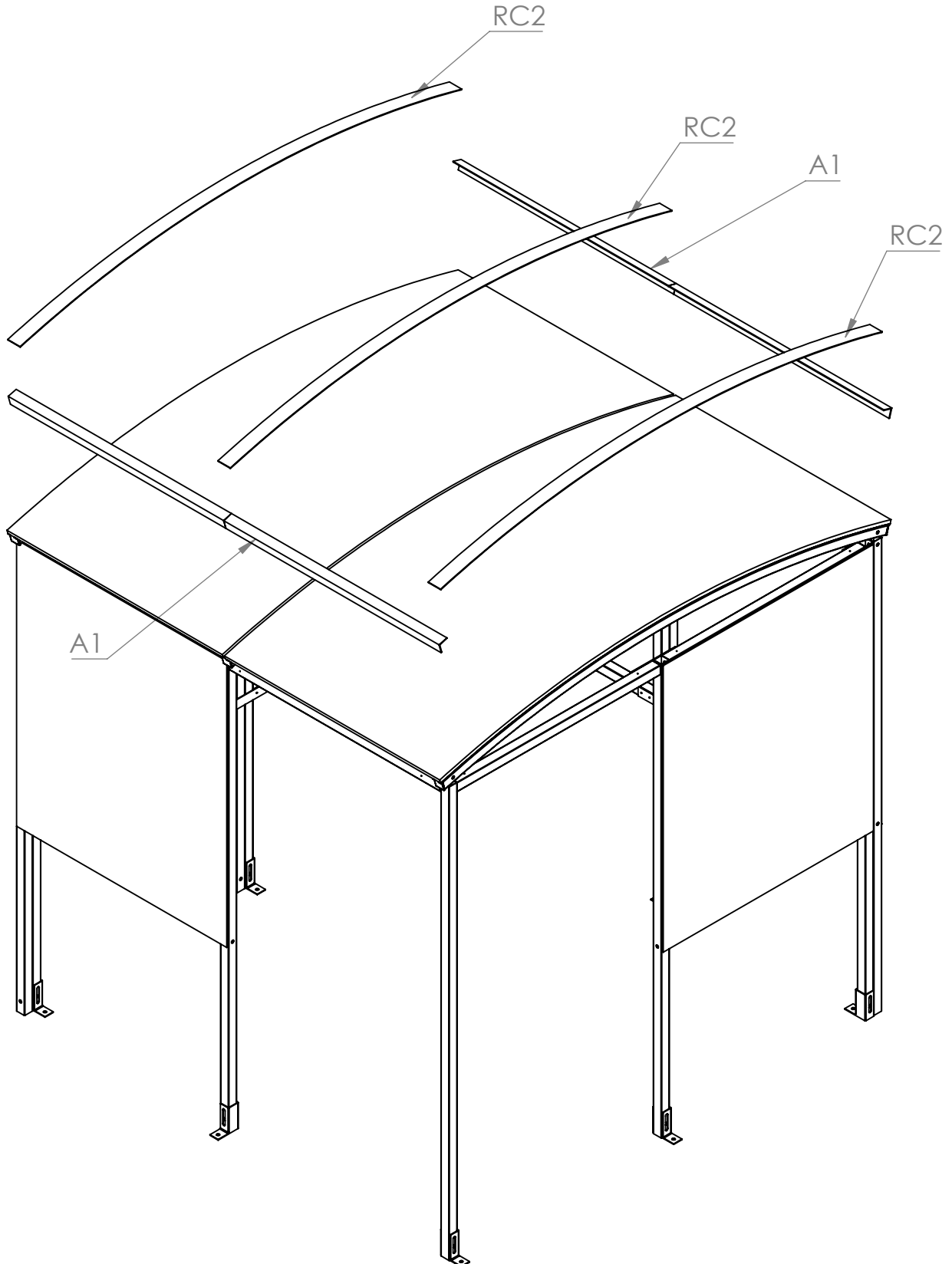


**Step 3** Apply **SS** sealing strips to the rafters (two per rafter) and line up the **ACE2** roof panels to the outside of the shelter, leaving a gap between them.



**Step 4** Apply **RC2** strips on top of the panels and use screws to secure them in place. Then clip on the **A1** angle trim to the bottom of the roof panels. Then fit the Black plastic caps on exposed nuts and bolts. Fit the square plastic end caps to any open ends of box sections.

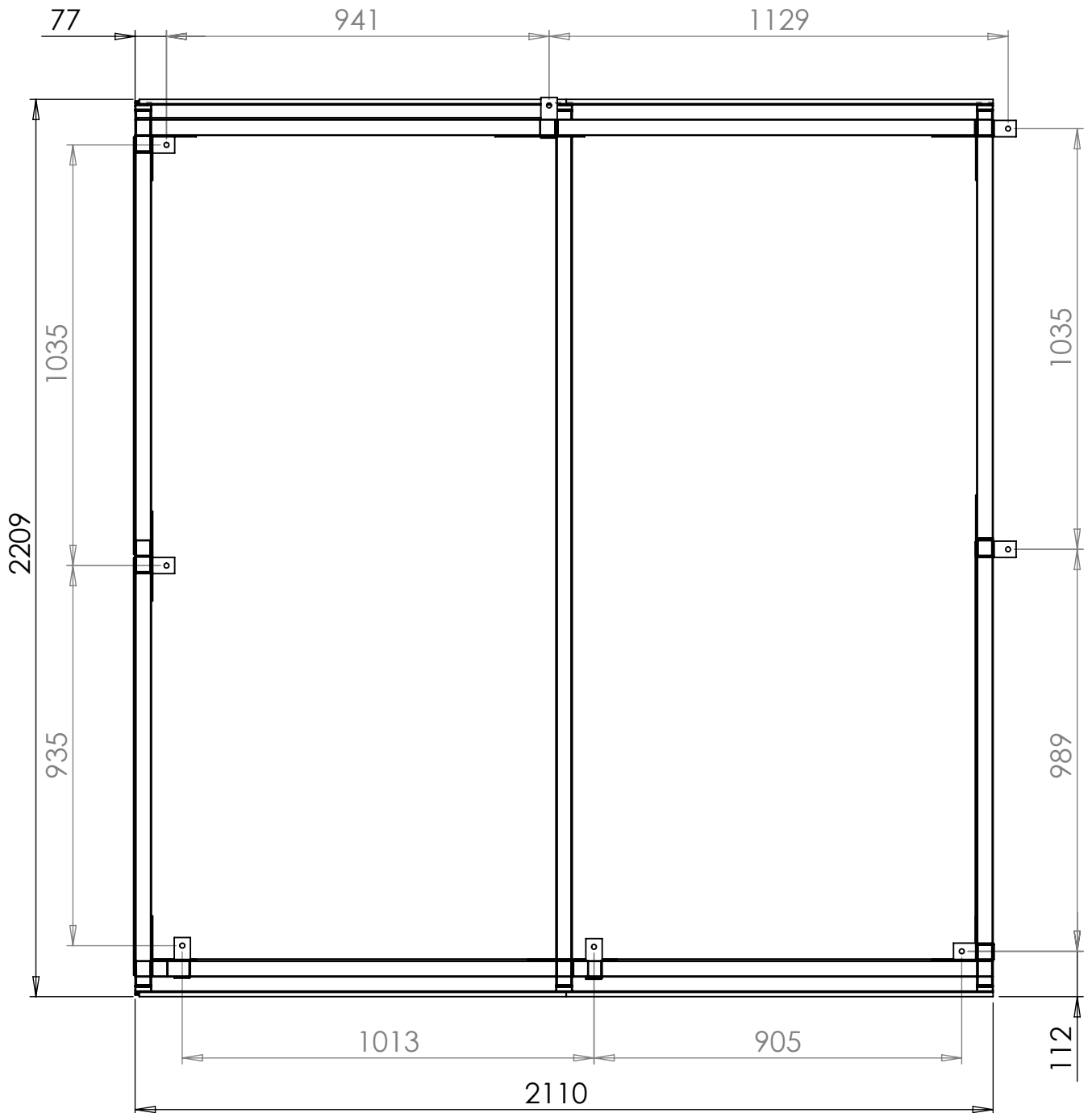
**GENERAL NOTE:**  
THE 50 mm TECH SCREWS  
ARE FOR FIXING ROOF STRIPS  
(RC) ONLY



# Ground anchor positions and overall size

Suggested concrete base size: 200mm oversized on all four sides

Scale 1:15





**NOTES:**

**NOTES:**

**NOTES:**

# THANK YOU FOR PURCHASING THIS PRODUCT

## MAINTENANCE:

To ensure your products give you many years of use we recommend that you:

- Clean panels regularly with soapy water
- Ensure all fittings are tight (for example after a big storm)
- Touch up any exposed metal should it get scratched

## CONTACT DETAILS:

Email : [Sales@shelter4less.co.uk](mailto:Sales@shelter4less.co.uk)

Web : [www.shelters4less.co.uk](http://www.shelters4less.co.uk)

Tel : 0800 160 1002

Shelters4Less, Unit 3, 2 Landsdowne Crescent, Bournemouth, BH1 1SA

<b>All Parts and Fixings checked by:</b>	
Print Name:	Signature: